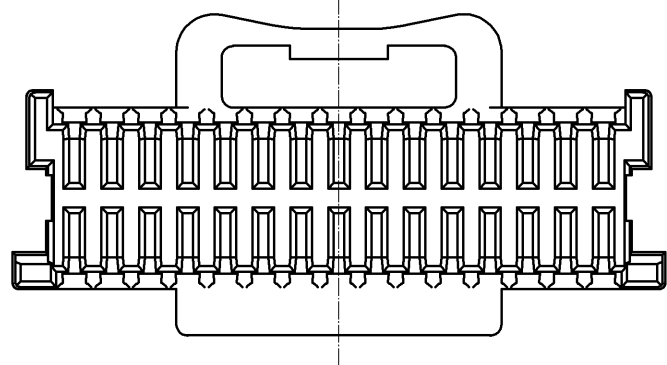
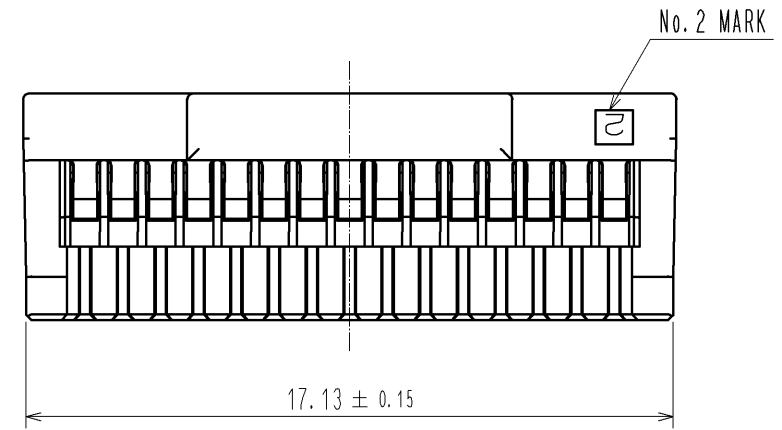
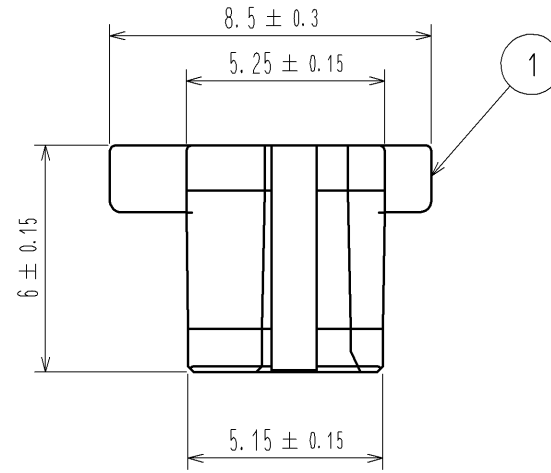
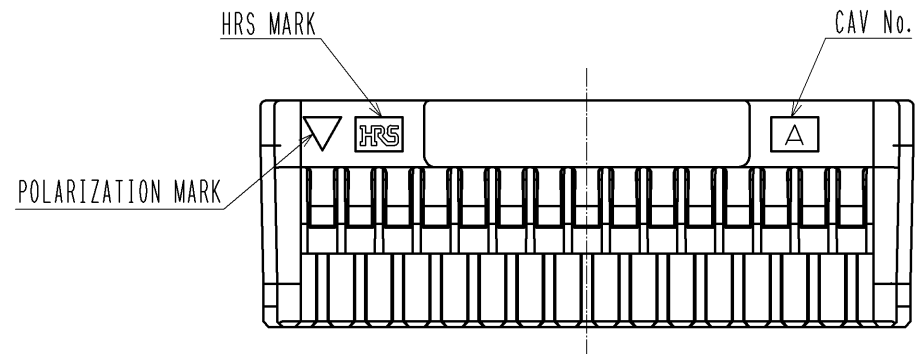
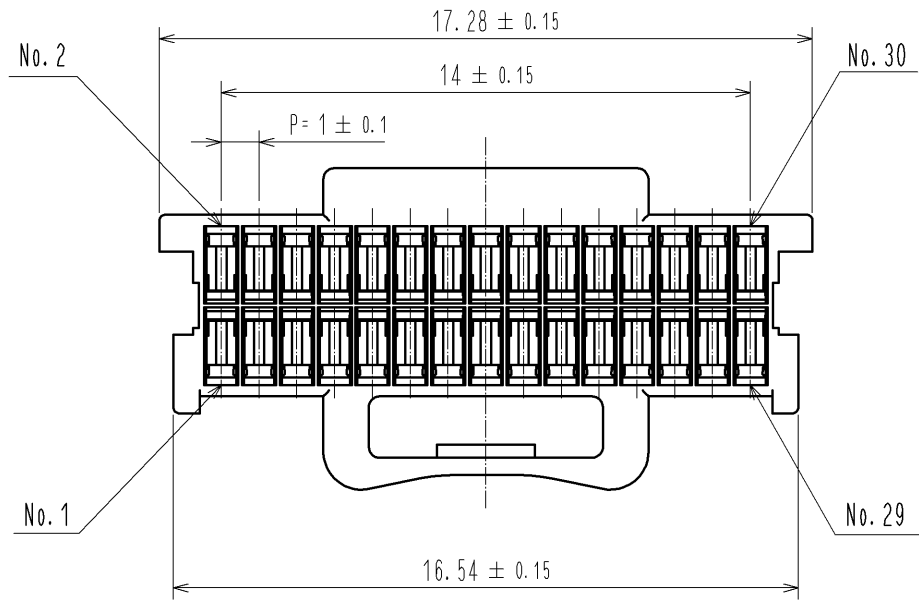


APPLICABLE STANDARD					
RATING	OPERATING TEMPERATURE RANGE	-35°C TO + 85°C (NOTE 1)	STORAGE TEMPERATURE RANGE	-10°C TO + 60°C (NOTE 3)	
	OPERATING HUMIDITY RANGE	20 % TO 80 % (NOTE 2)	STORAGE HUMIDITY RANGE	40 % TO 70 % (NOTE 3)	
	VOLTAGE	AC/DC 100V	APPLICABLE CONNECTOR	DF50-30DP-1V DF50-30DP-1H	
	CURRENT	AWG 28 : 1.0 A AWG 30 : 0.9 A AWG 32 : 0.7 A	APPLICABLE CONTACT	DF50-2830SCFA DF50-3032SCFA	
<b>SPECIFICATIONS</b>					
ITEM	TEST METHOD	REQUIREMENTS	QT	AT	
<b>CONSTRUCTION</b>					
GENERAL EXAMINATION	VISUALLY AND BY MEASURING INSTRUMENT.	ACCORDING TO DRAWING.	X	X	
MARKING	CONFIRMED VISUALLY.		X	X	
<b>ELECTRIC CHARACTERISTICS</b>					
INSULATION RESISTANCE	100V DC.	500MΩ MIN.	X	-	
VOLTAGE PROOF	300V AC FOR 1 min.	NO FLASHOVER OR BREAKDOWN.	X	-	
<b>MECHANICAL CHARACTERISTICS</b>					
VIBRATION	FREQUENCY 10 TO 55 Hz, SINGLE AMPLITUDE 0.75 mm, AT 10 CYCLES FOR EACH, FOR 3 DIRECTIONS.	NO DAMAGE, CRACK OR LOOSENESS OF PARTS.	X	-	
SHOCK	490 m/s <sup>2</sup> DURATION OF PULSE 11 ms AT 3 TIMES FOR 3 DIRECTIONS.				
<b>ENVIRONMENTAL CHARACTERISTICS</b>					
DAMP HEAT (STEADY STATE)	EXPOSED AT 40 ± 2 °C, 90 TO 95 %, 96 h.	① INSULATION RESISTANCE: 100MΩ MIN. ② NO DAMAGE, CRACK OR LOOSENESS OF PARTS.	X	-	
RAPID CHANGE OF TEMPERATURE	TEMPERATURE -55→+85°C TIME 30→ 30min. UNDER 5 CYCLES. (THE TRANSFERRING TIME OF THE TANK IS 2~3 min)	① INSULATION RESISTANCE: 500MΩ MIN. ② NO DAMAGE, CRACK OR LOOSENESS OF PARTS.	X	-	
<b>REMARKS</b>					
NOTE 1: INCLUDING THE TEMPERATURE RISE BY CURRENT.					
NOTE 2: NON-CONDENSING					
NOTE 3: APPLY TO THE CONDITION OF LONG TERM STORAGE FOR UNUSED PRODUCTS BEFORE PCB ON BOARD. AFTER PCB BOARD, OPERATING TEMPERATURE AND HUMIDITY RANGE IS APPLIED FOR INTERIM STORAGE DURING TRANSPORTATION					
Unless otherwise specifid , refer to JIS C 5402.					
	COUNT	DESCRIPTION OF REVISIONS	DESIGNED	CHECKED	DATE
△					
			APPROVED	KI. AKIYAMA	11. 11. 24
			CHECKED	OM. MIYAMOTO	11. 11. 24
			DESIGNED	TT. OHSAKO	11. 11. 21
			DRAWN	TT. OHSAKO	11. 11. 21
Note QT:Qualification Test AT:Assurance Test X:Applicable Test			DRAWING NO.		ELG4-339823-00
<b>HRS</b>	SPECIFICATION SHEET		PART NO.	DF50S-30DS-1C	
	HIROSE ELECTRIC CO., LTD.		CODE NO.	CL665-0021-5-00	△ 1/1



NOTE1. PER PACK:100 PIECES

NO.	MATERIAL	FINISH .	REMARKS	NO.	MATERIAL	FINISH .	REMARKS	
				1	PBT		UL94V-0. WHITE	
UNITS mm		SCALE 5 : 1	COUNT 	DESCRIPTION OF REVISIONS		DESIGNED	CHECKED	DATE
<b>HRS</b> HIROSE ELECTRIC CO., LTD.				APPROVED : KI. AKIYAMA	11.11.24	DRAWING NO. EDC3-339823-00		
				CHECED : OM. MIYAMOTO	11.11.22	PART NO. DF50S-30DS-1C		
				DESIGNED : TT. OHSAKO	11.11.21	CODE NO. CL665-0021-5-00		
				DRAWN : TT. OHSAKO	11.11.21			